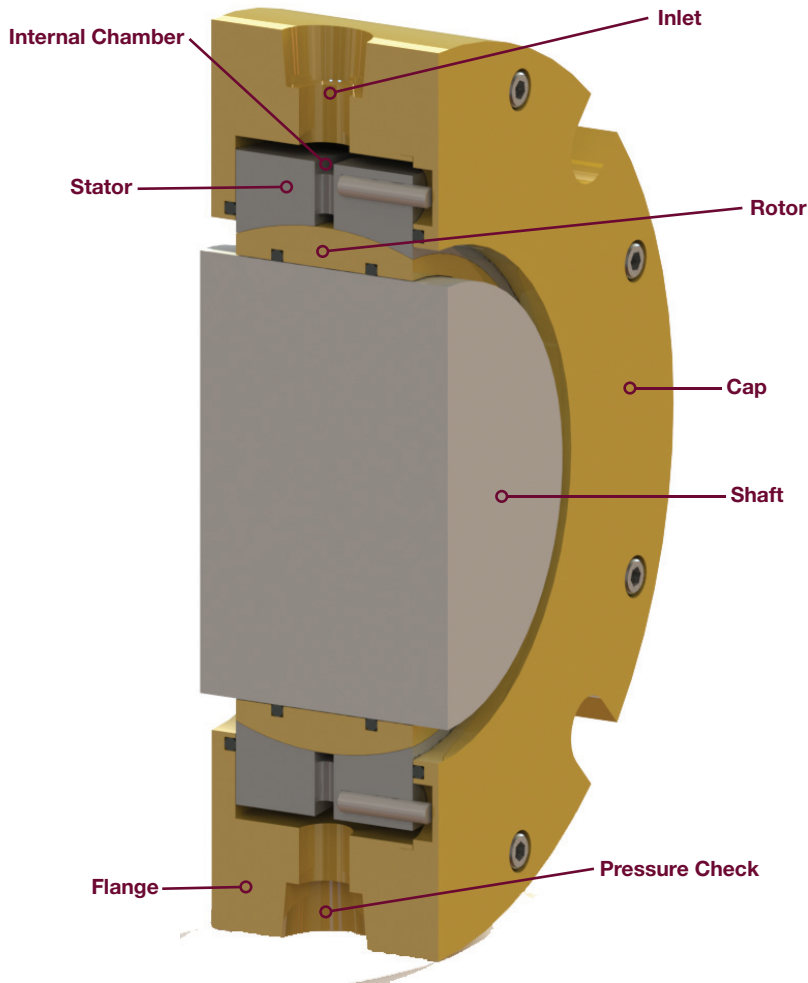


AM Rotor



Technical Features

Rotor

Applications

General Processing Equipment

Industries

All

AM ROTOR TECHNICAL DATA

A non-contacting permanent shaft seal that uses air, or inert gas, to create a positive purge between the rotor and stator that eliminates product loss or contamination for powders, liquids, slurries and bulk solids on processing equipment with no axial movement.

Standard Materials: Bearing Bronze, Aluminum, Stainless Steel

Product Pressure: 2.07 bar [30 psi]

Speed: 1,800 RPM

Movement: Axial- 0.38 mm [0.015 in.] | Standard Radial- 3 mm [0.118 in.]

Shaft Size: 25.4 mm [1 in.] – 254 mm [10 in.]

Consult engineering for shaft sizes above 152.4 mm [6 in.]

Temperature Range: -29°C [-20°F] to 149°C [300°F]

* Consult Inpro/Seal Representative for operating conditions outside values shown above



INPRO/SEAL®

www.inpro-seal.com | info@inpro-seal.com

